

LIFT-ASSIST DAMPER (FOR HEAVY DUTY)



LADH



Opening Direction	Item Name	Description	Non-handed	Maximum Door Moment
Top-opening	LADH-35	Lift-assist	Yes	25 - 35 N-m/pc (255 - 357 kgf-cm/pc)
	LADH-50	Soft-close		35 - 50 N-m/pc (357 - 510 kgf-cm/pc)

Features

- Ideal for counter flaps at bars, restaurants, and reception counters.
- Smooth and soft close movement near closing radius prevents flaps from slamming. Damper function works even if the flap is only opened slightly.
- Suitable for door moment of 25 - 50 N-m.
- Lift-assist mechanism with light opening.
- Stops flap at 95° opening with stopper.
- Installation position can be easily determined with the supplied template.
- Can be attached to already installed counters without extra processing.

Applications

Counter flaps, etc.

Remarks

- Do not use more than two sets on one flap
- While open, the flap is not held firmly in position
- Make sure to have sufficient hinge strength and board material strength at the side from which the flap is suspended (rotates).
- Do not use in combination with multi-axis hinges.
- Closed flap will not be held in place with this product alone. Please install some type of catch on the side of the flap that lifts up.

Parts Included

- Binding head tapping screw 5.1 × 20
- Paper template

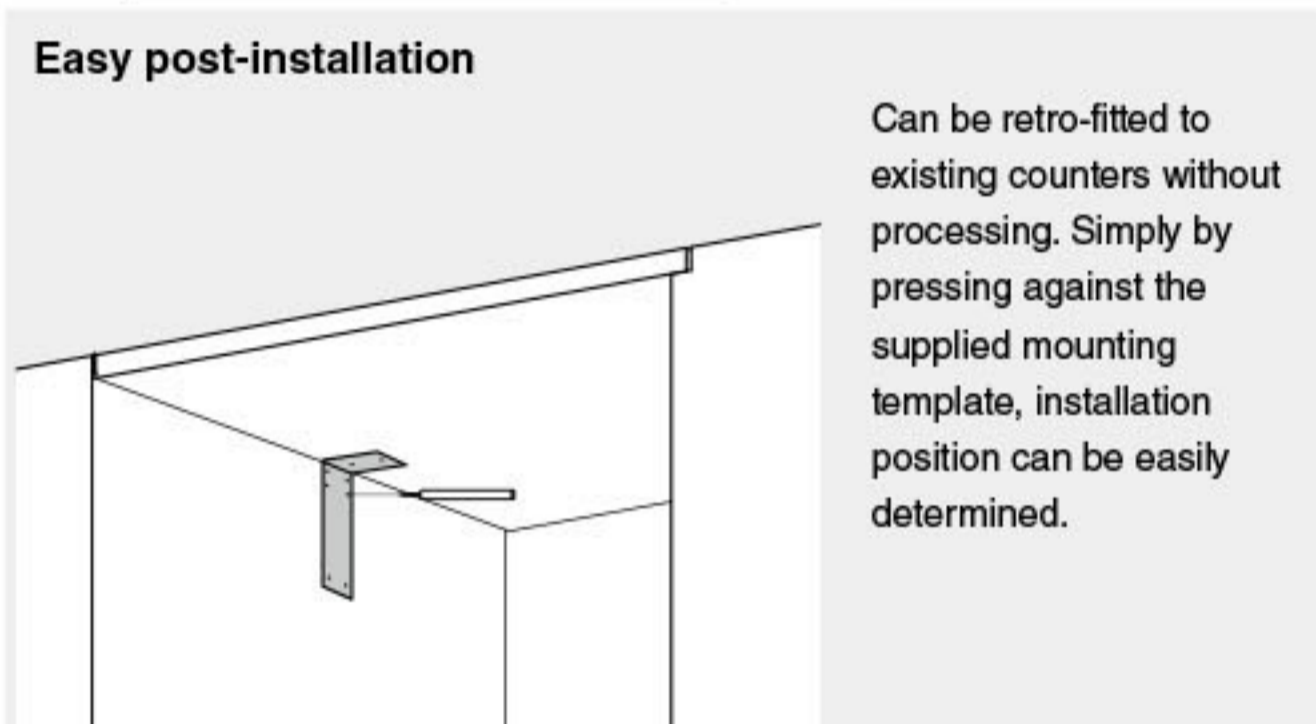
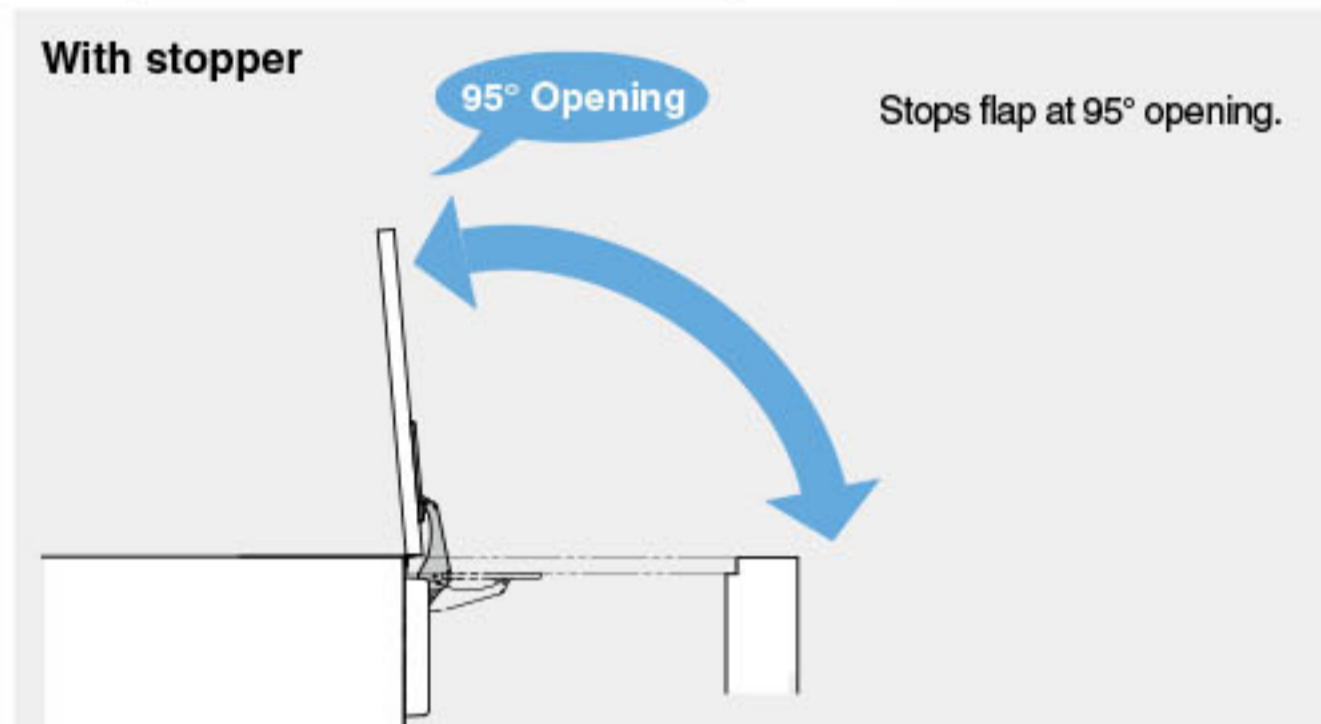
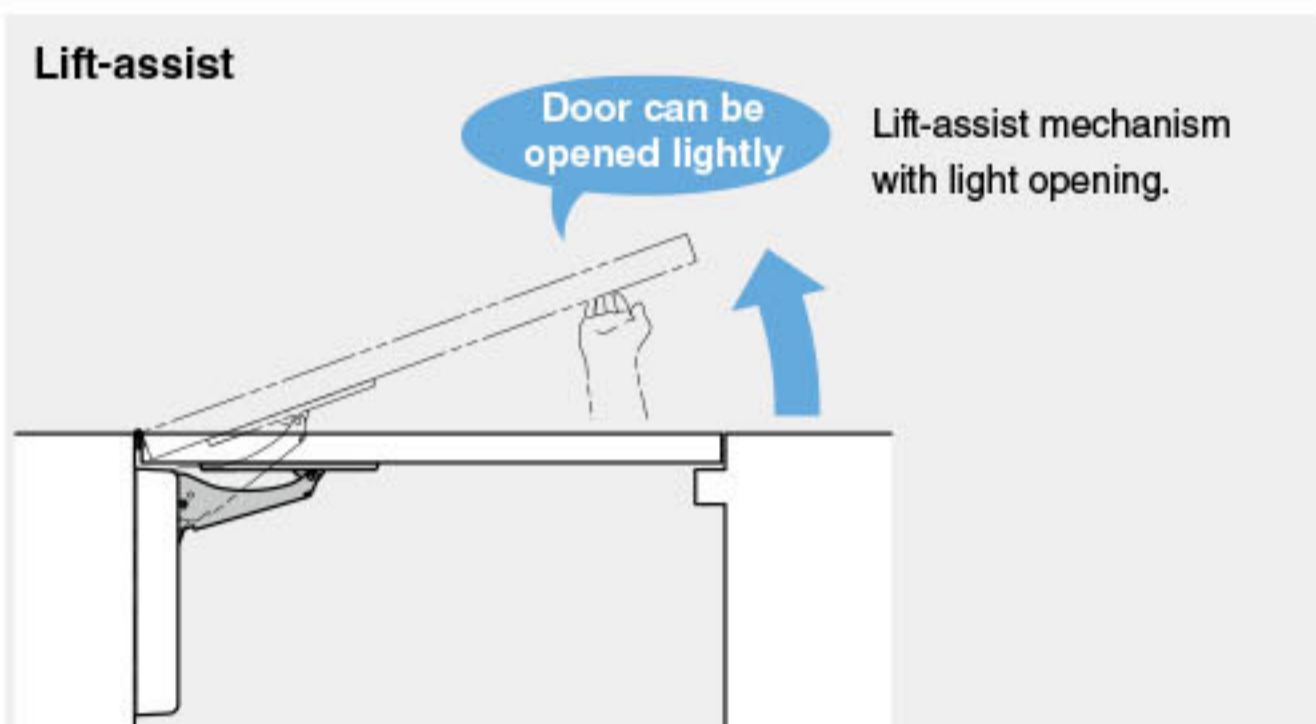
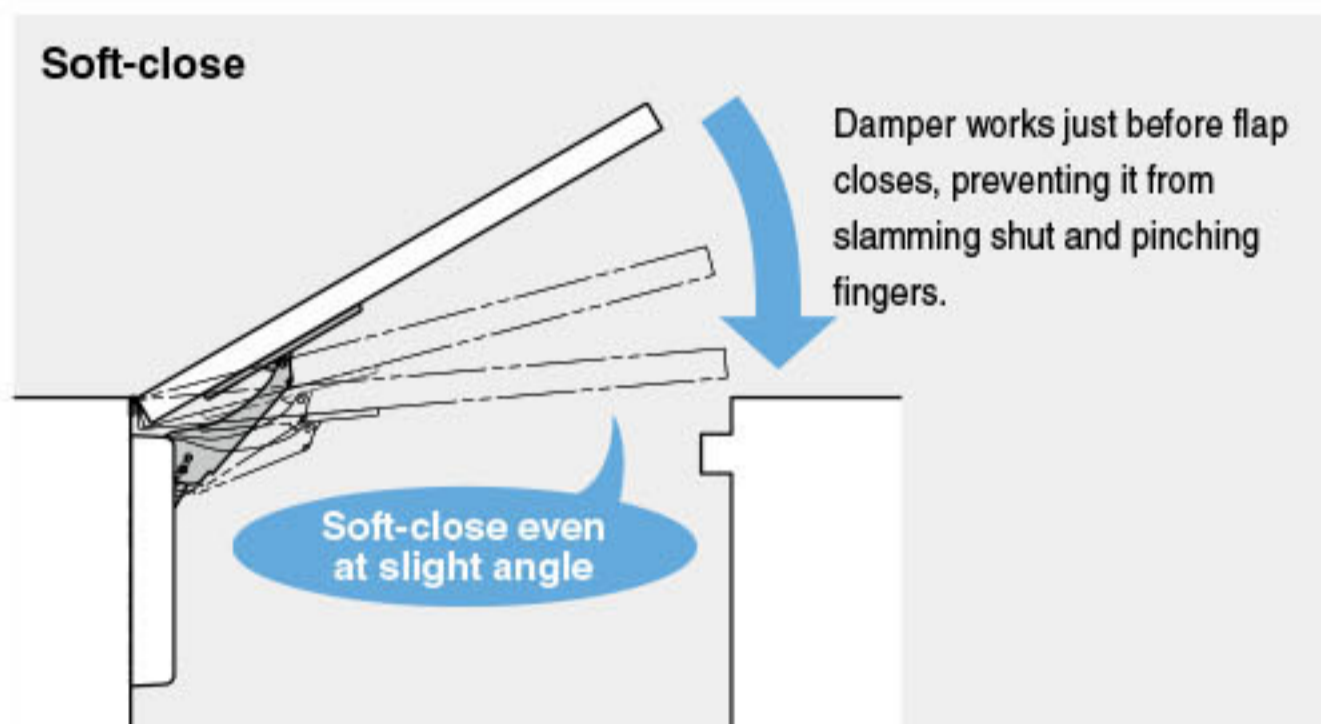
Recommended Hinge

- Stainless steel piano hinge LSN-C

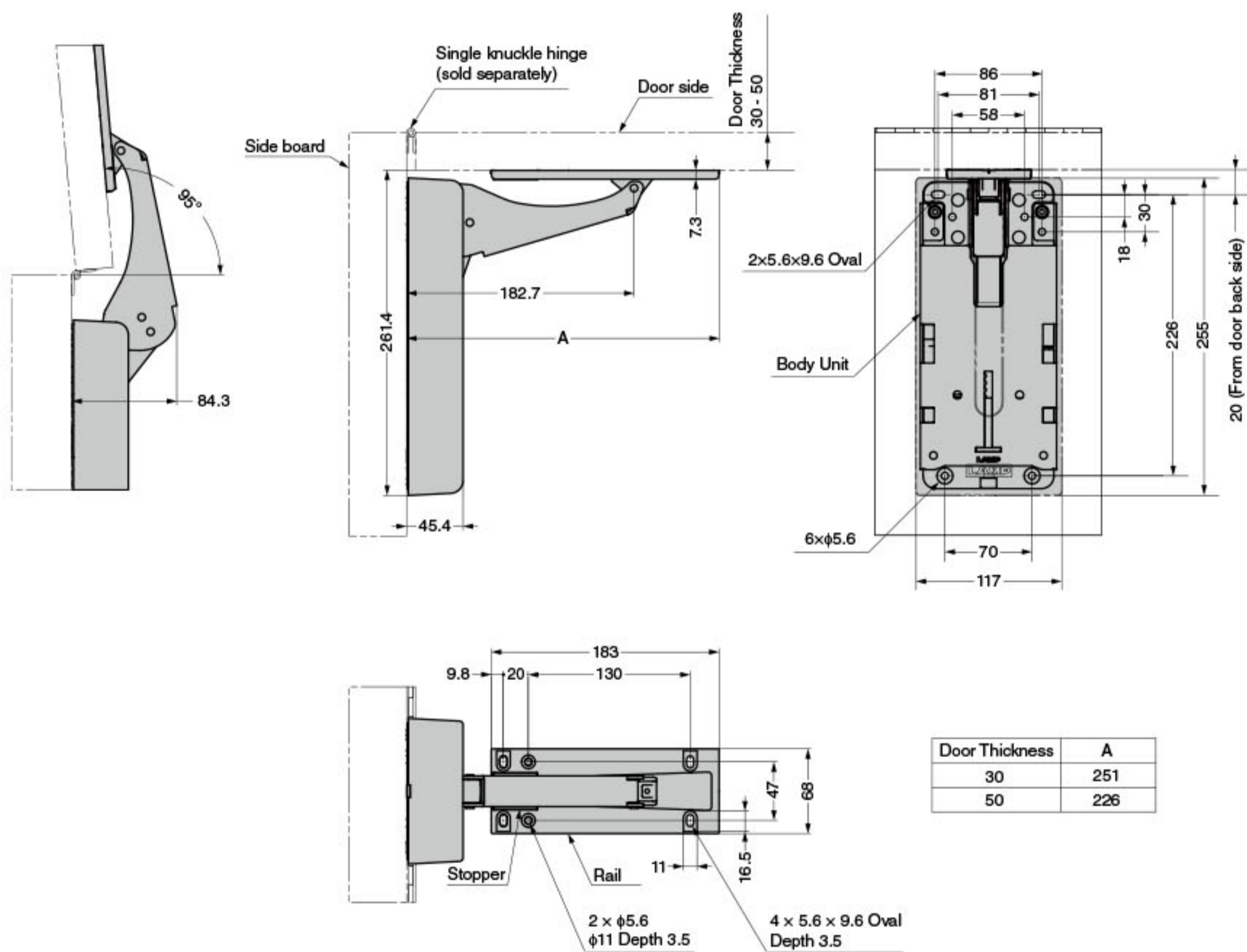
Video Link



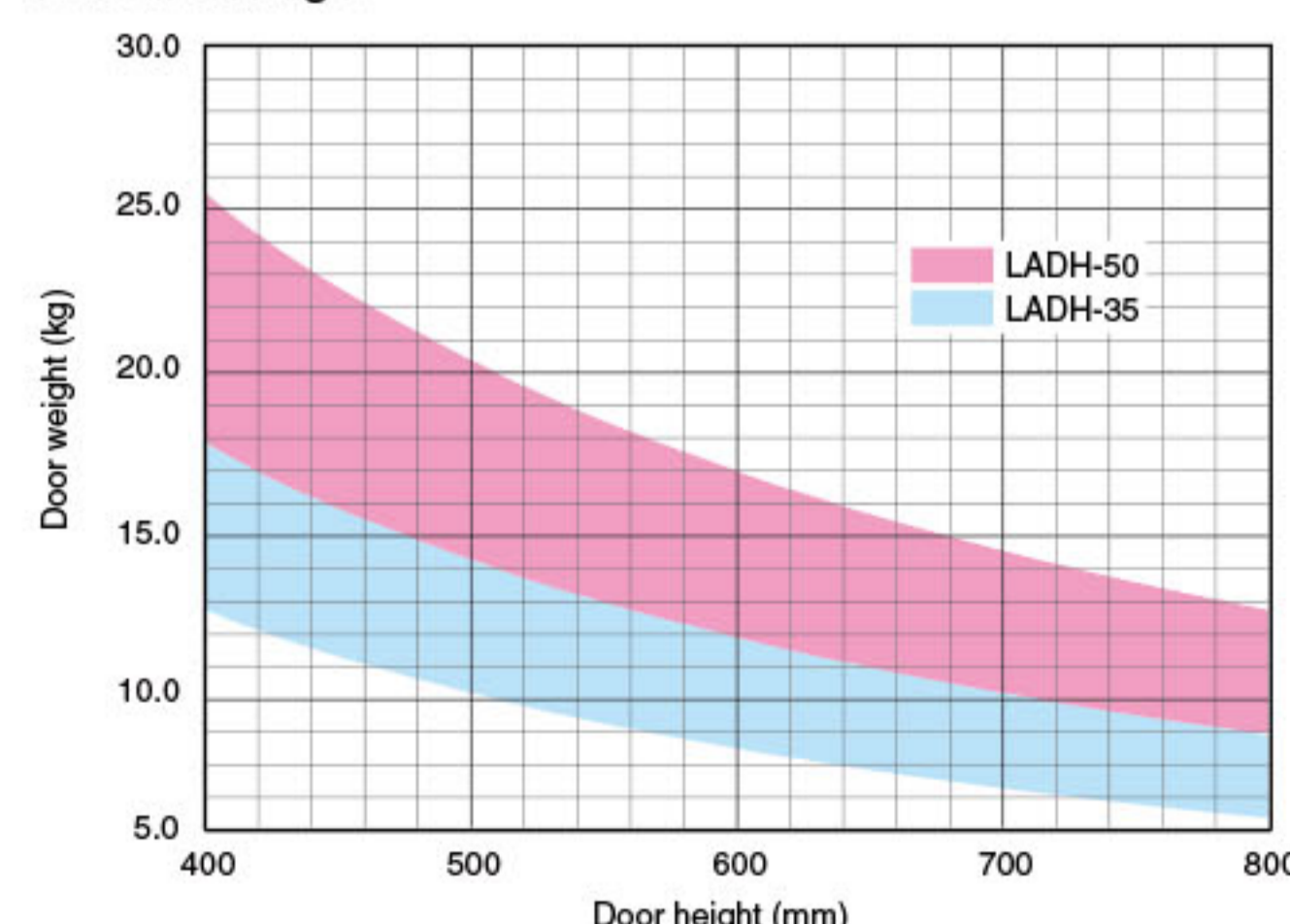
Application Example



Refer to 1: Additional products catalogue P.F27



Door Size Ranges



Refer to the left graph as a guide for model selection. When using a door with size not given here, calculate the door moment as follows. Door weight includes attached decorations.

Maximum Door Moment (N-m)
= Door weight (kg) × 9.80665 × Distance from rotation centre to door centre of gravity (m)

CAD	Item Code	Item Name	Material	Finish	Maximum Door Moment N-m/pc	Maximum Door Moment kgf-cm/pc	Recommended Thickness (mm)	Weight (kg)	Box (pcs)	Carton (pcs)
2030	170-034-868	LADH-35	Steel (SPCC)	Nickel Plating/Nickel	25 - 35	255 - 357	30 - 50	2	1	4
2030	170-034-869	LADH-50	Polyacetal (POM)/ABS	Chrome/Dark Brown	35 - 50	357 - 510				

